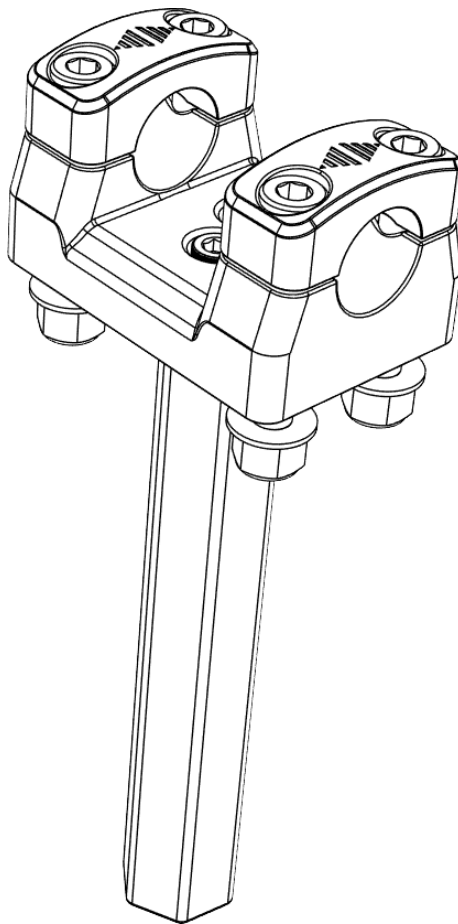




# Steering Stem Reinforcement Can-Am



## Installation Manual



## Important Safety Information - Read Before Installation

**WARNING:** Before starting the installation of any ATV, UTV, or SXS aftermarket parts, it is important to prioritize safety. Make sure you are using suitable protective gear, this includes but is not limited to safety goggles, gloves and protective clothing.

Ensure your vehicle is on flat, stable ground. Installing parts on uneven or unstable surfaces can potentially lead to injury or damage to the vehicle. The vehicle should be turned off and cooled down before proceeding with the installation. Attempting to install parts on a running or hot vehicle can result in burns or other serious injuries.

After completing installation, it is important to inspect and check the tightness of any and all nuts, screws, and bolts. Failure to properly secure these fasteners can lead to component failure or detachment during riding, posing significant safety risks to both the rider and bystanders. The vehicle should be warmed up and subsequently cooled down to account for any thermal expansion or contraction effects that may affect the tightness of the fasteners.

It is crucial to inspect and tighten screws and bolts as necessary after initial rides, as vibrations and stresses during operation can cause fasteners to loosen over time.

Prior to starting the installation process, it is important to thoroughly read all provided instructions to familiarize yourself with the installation procedures and any specific requirements or precautions. Failure to follow the instructions could result in improper installation or component failure.

Please check your local laws and regulations governing the use of aftermarket parts on your vehicle. Failure to comply with these regulations can result in legal repercussions, fines, or other penalties. Therefore, it is important to research and understand the applicable laws and regulations before installing aftermarket parts on your vehicle. Always ensure that any modifications made to your vehicle comply with local regulations.

Please check and read the full Warranty Information that can be found at:  
[www.RJWC.se/warranty-information/](http://www.RJWC.se/warranty-information/)

**Need help? Got a question?**

**Get in touch at [help@RJWCPowersports.com](mailto:help@RJWCPowersports.com) or your closest RJWC Powersports Dealer.**

**WARNING**  
Choking Hazard  
May Contain Small Parts.  
Keep away from children and pets.

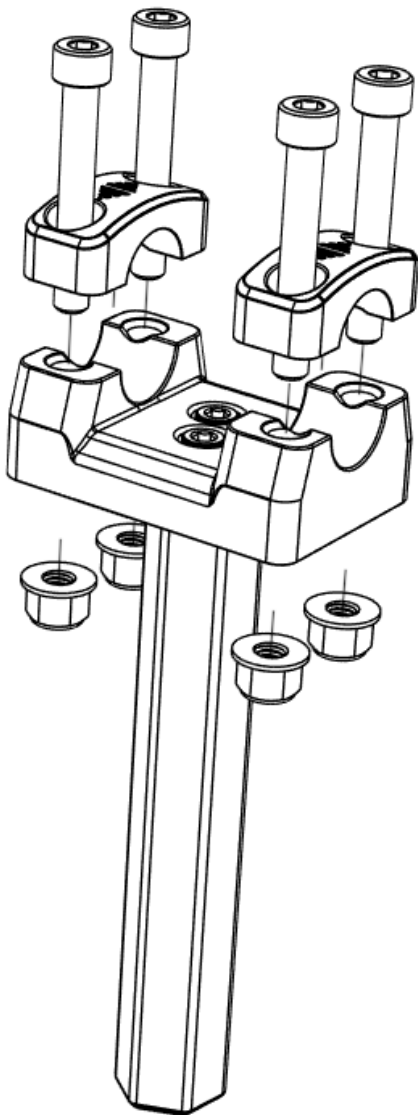
## Steering Stem Reinforcement - Can-Am

### Parts Included

- 1x Hexagon Stem & Reinforced Lower Clamp
- 2x Reinforced Clamp
- 4x Flange Nuts
- 4x Head Screw

---

### Steering Stem Reinforcement - Can-Am Installation



- The Steering Stem Reinforcement is a direct replacement for the stock steering stem
- After installing the Steering Stem Reinforcement, we recommend starting your vehicle to warm it up, and let it cool down
- Once cooled down, check the tightness of all screws and nuts
- It is also recommended to take a short test drive, turning your handlebars a few times, then rechecking the tightness of all screws and nuts again