



***Can-Am Outlander Floorboards  
Short Edition  
Installation Manual***

# Outlander Short Floorboards

## Installation Manual

### Read carefully before installation!

Before starting installation, make sure your ATV is off, and has cooled down. To start the installation of the RJWC Floorboards you will need to remove the stock floorboards.

When unboxing the Floorboards, you will notice that each panel has a number, followed by either an 'L' or an 'R'. These correspond to the side of the machine each panel will be installed on.

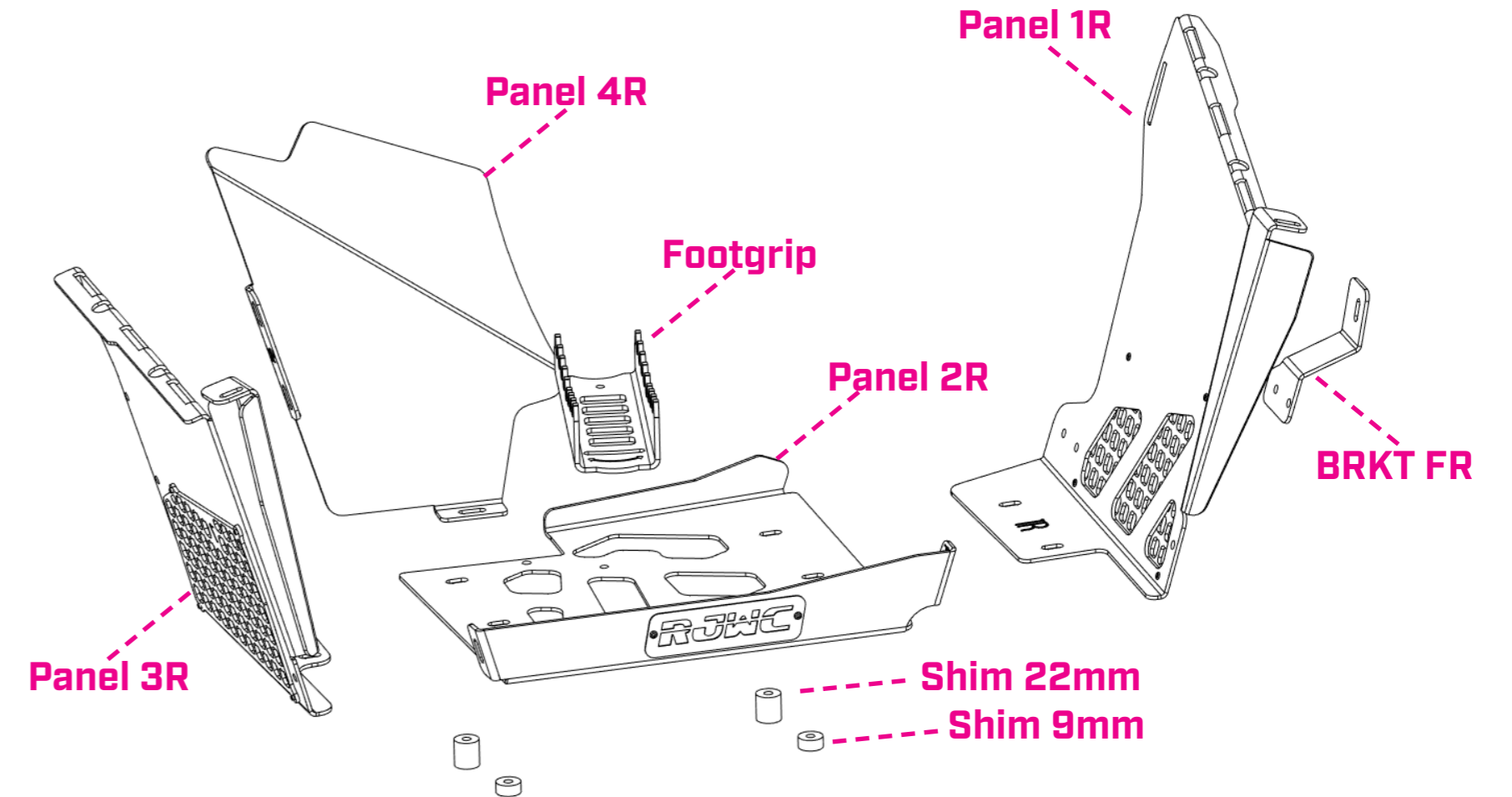
We recommend unpacking all the panels, and separating them by RIGHT and LEFT.

Don't fully tighten all screws throughout the installation, minor adjustments may need to be made - so as a last step, tighten all screws once the floorboards are in place.

### Tools Required:

- M10 Wrench
- Torx 30 Socket/ Screwdriver

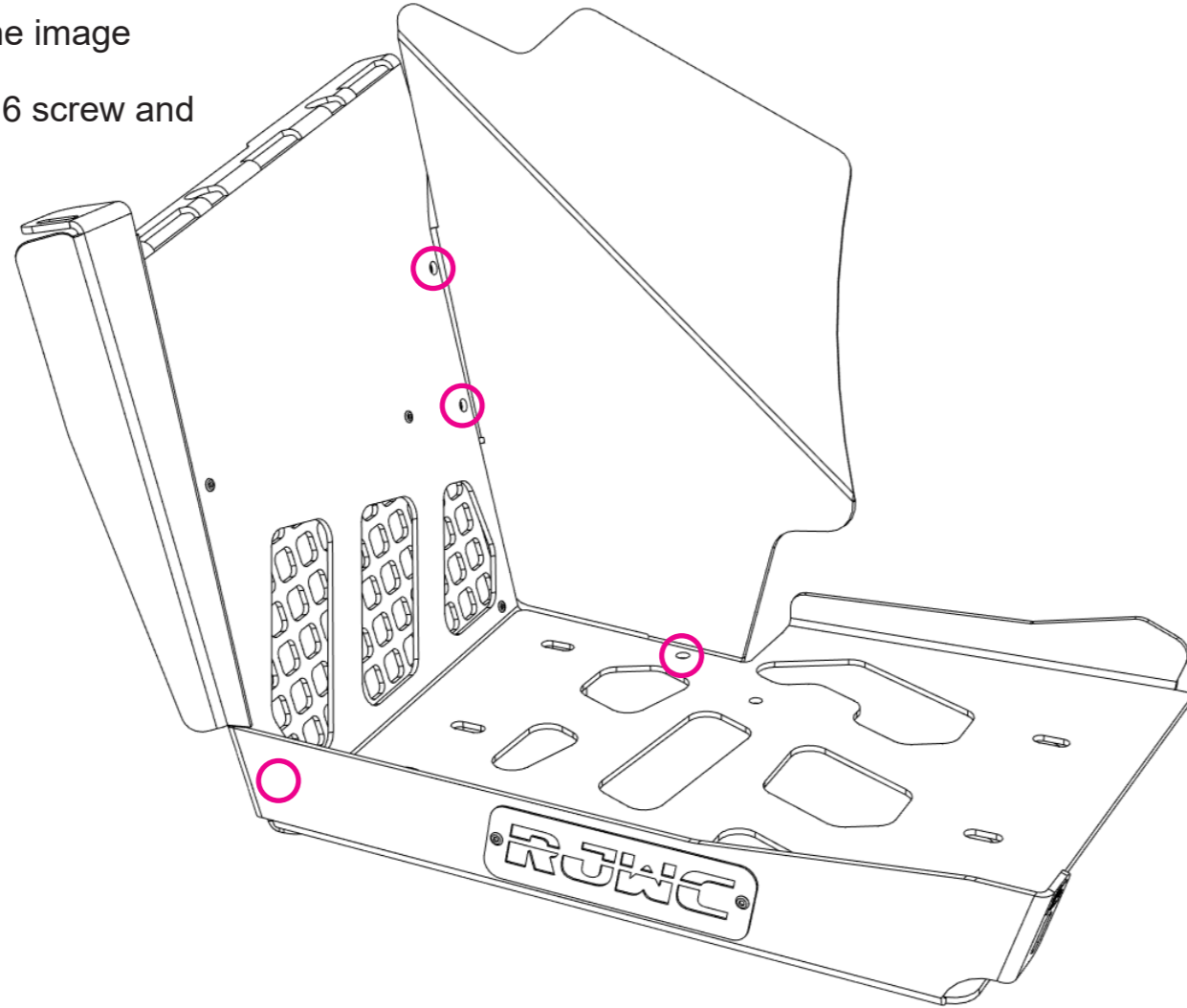
# Outlander Short Floorboards



### Step 1.

**Panels:** 2R, 3R, 4R

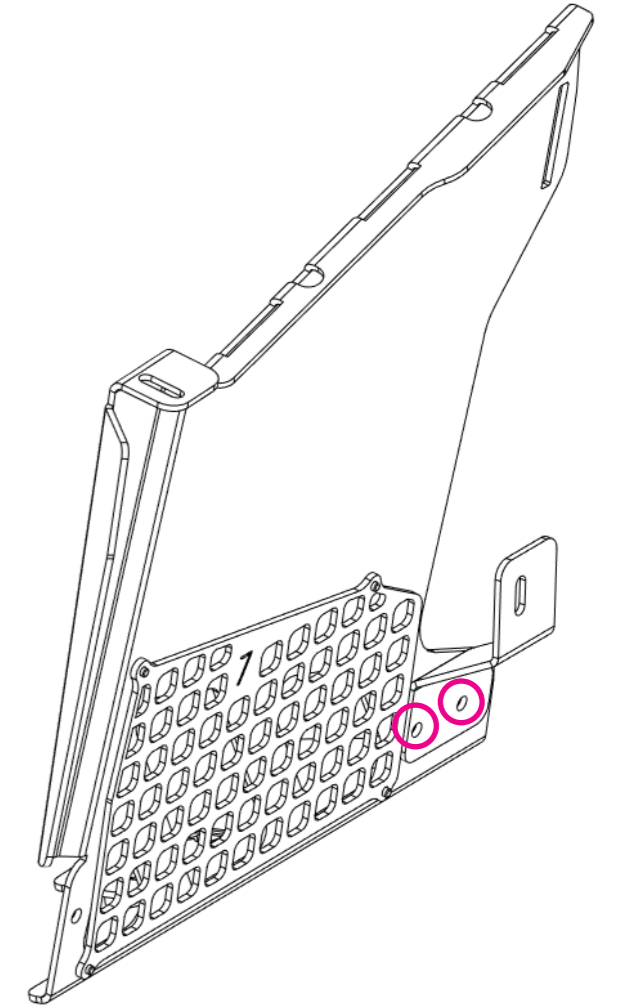
- Assemble the three panels as shown in the image
- A Pink Dot indicates where to use a M6x16 screw and nut



### Step 2.

**Panels:** 1R, BRKT FR

- Premount the Bracket BRKT FR onto the rear of Panel 1R



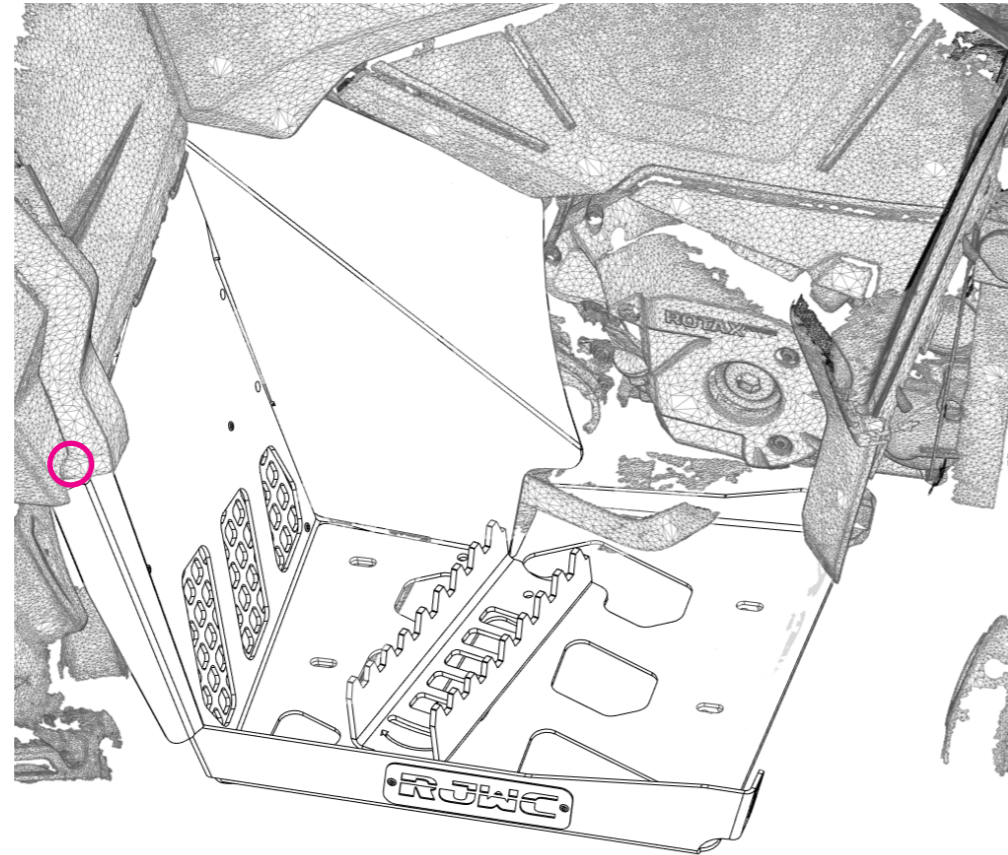


### Step 3.

#### Panels:

- Place what you have assembled so far onto the ATV and secure to the plastic fascia with an M6x16 Flange Screw and Nut

- The Screw and Nut are used where the Pink Circle is in the image just in the back assembly



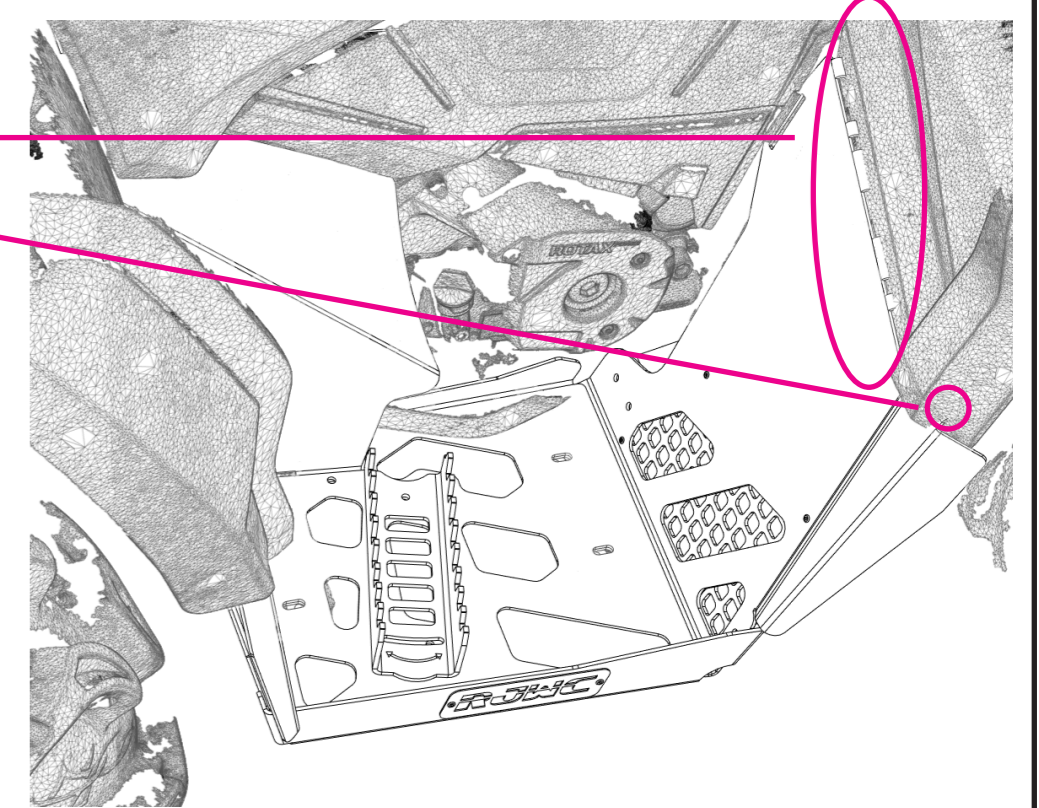
### Step 4.

#### Panels: 1R

- Slide the 1R Panel into place, it should go under the 2R Panel.

- Clip the plastic into place at the top of the panel.

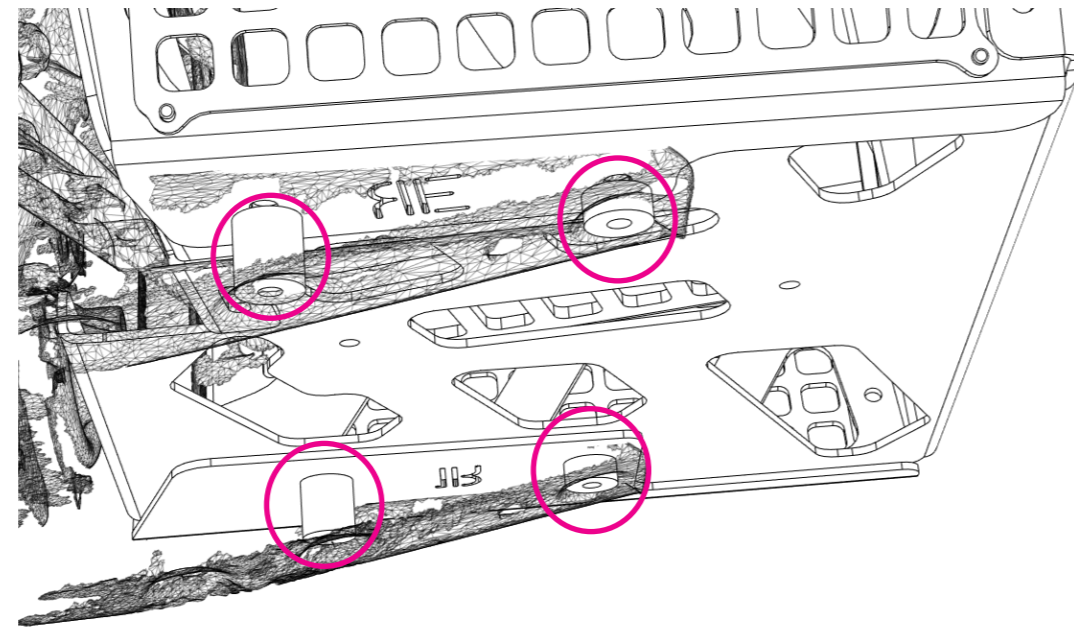
- Secure to the plastic against the Panel with a M6x16 Flange Screw and Nut.



## Step 5.

### Panels:

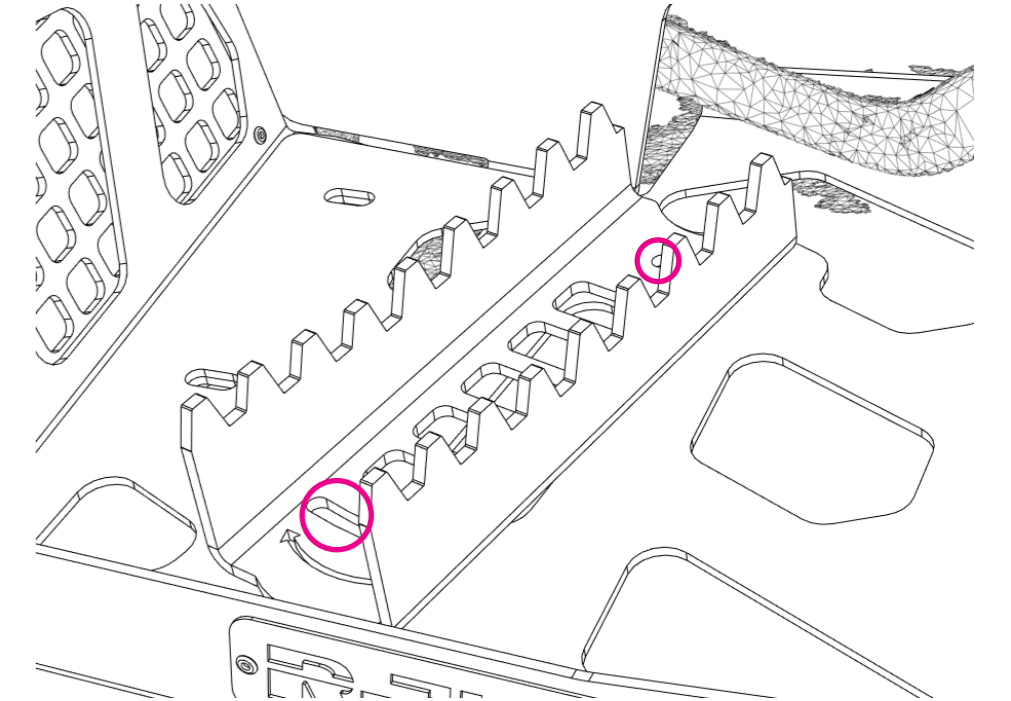
- Install the distance shims under the floorboards. So they sit between the Floorboard and the ATV Frame.
- The 22mm Shims align to the inside holes closer to ATV and the 9mm Shims align to the outside holes furthest away from the ATV.
- Use a M6x30 Screw for the 9mm Distance Shims
- Use a M6x40 Screw for the 22mm Distance Shims



## Step 6.

### Panels: Footgrips

- Fasten the Footgrip with M6x16 flange Screws and Nuts.
- The Footgrip is adjustable. To make sure you install it correctly, the arrow on the footgrip should be closest to the RJWC Logoplate.

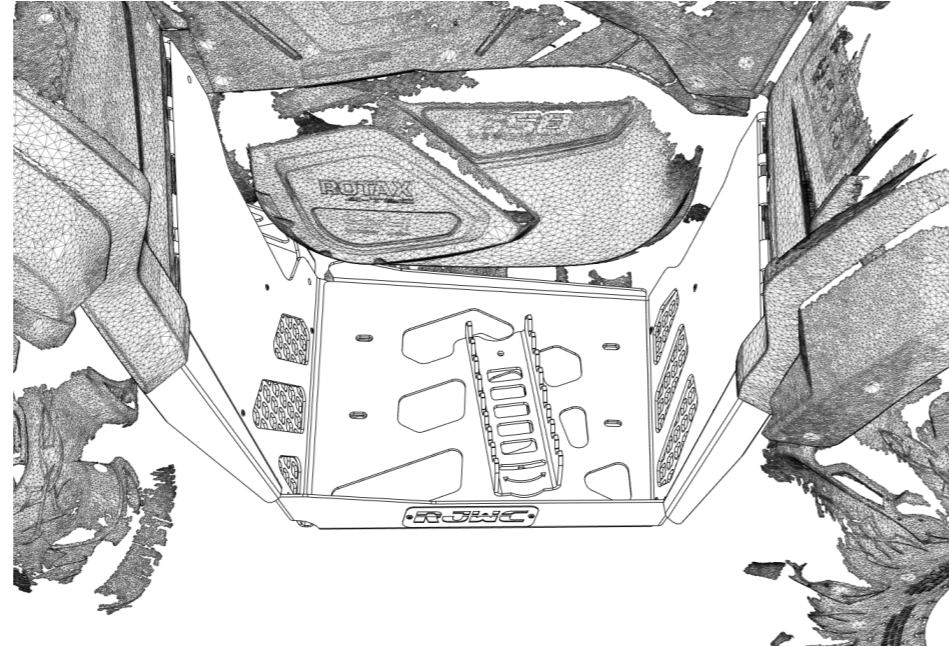




## Step 7.

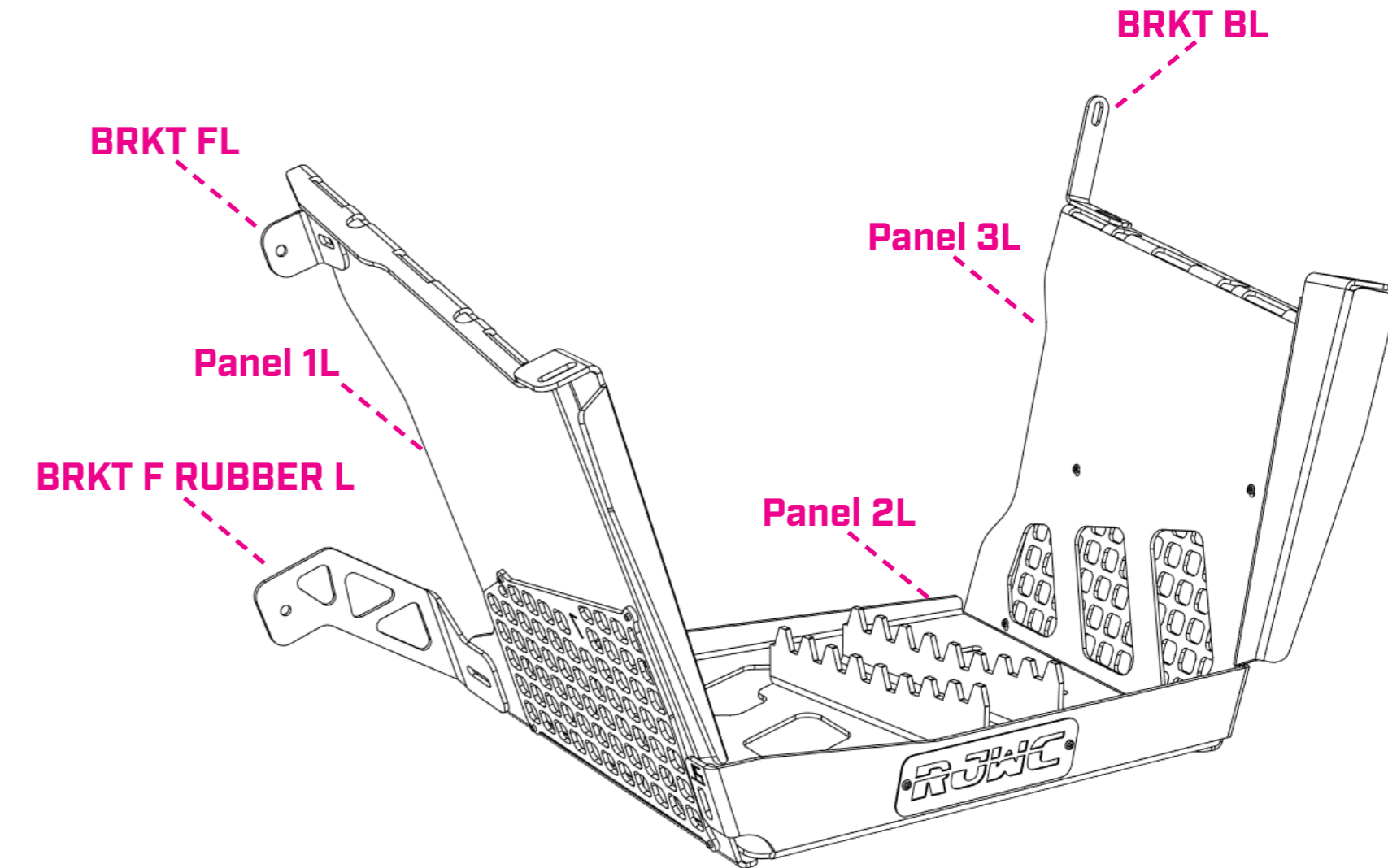
### Panels:

- You have now fully installed the Right Floorboard.
- To install the Left Floorboard, follow the previous steps but replace the "L" panel for the "R" Panel. "1L" will become "1R".
- There are some additional brackets you will need to install which are shown in the next steps



## Step 8.

### Panels:



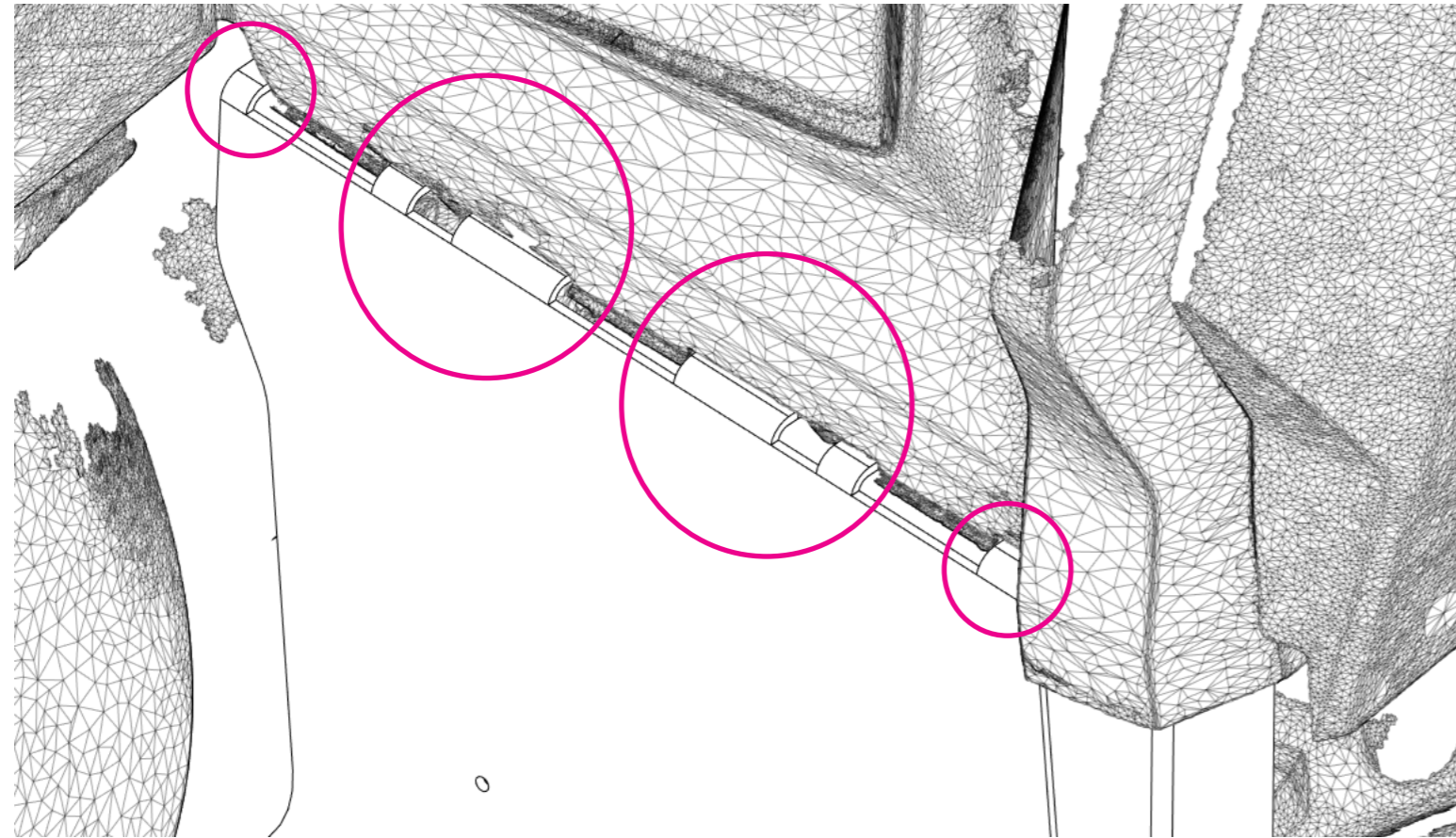


### Step 9.

#### Panels: 3L

- After building the Left Panels, Place Panel 3L on the back section of the footwell frame of the Left Side of the ATV.

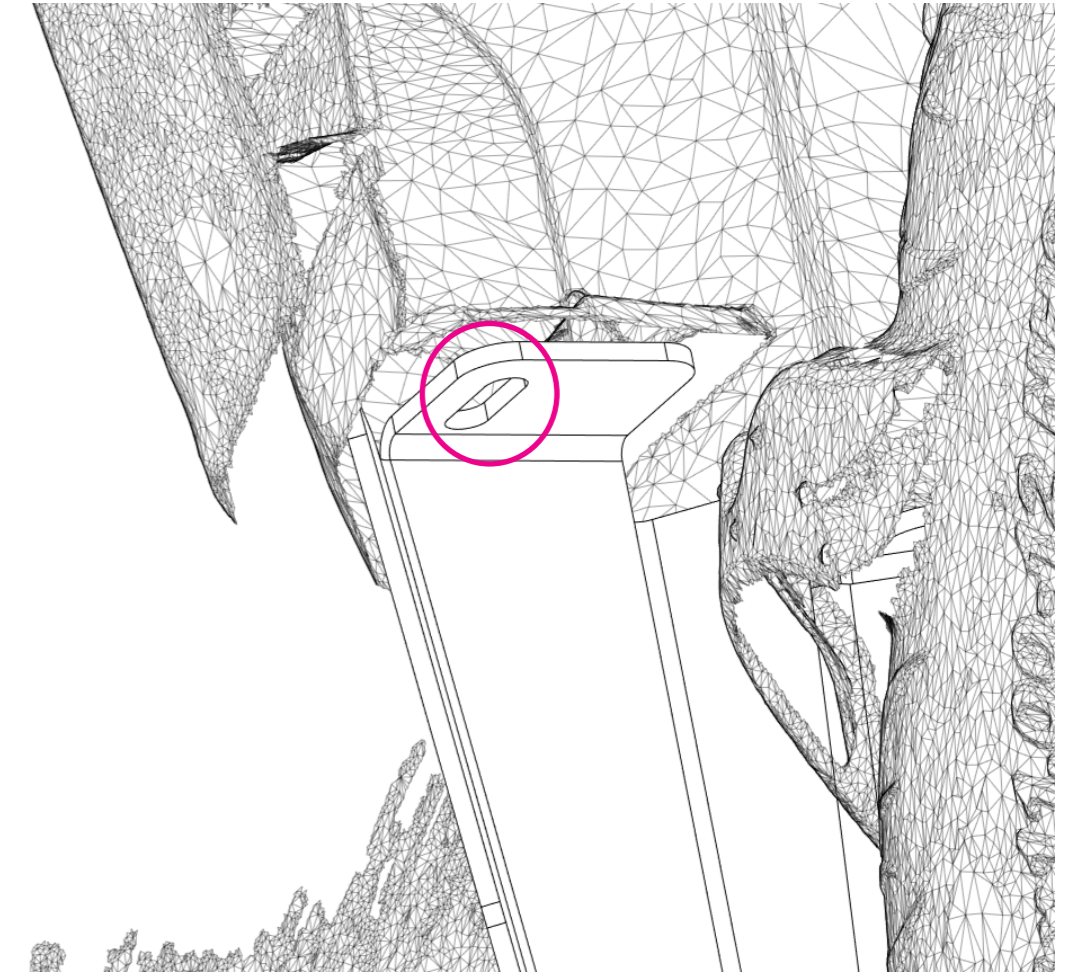
- Align the Panel with the plastic fascia and push gently into place.



### Step 10.

#### Panels: 3L

- Fasten a M6x16 Screw on the inside of the outer screen. Take care with the plastic. Don't overtighten the screw which can cause the plastic to become damaged.



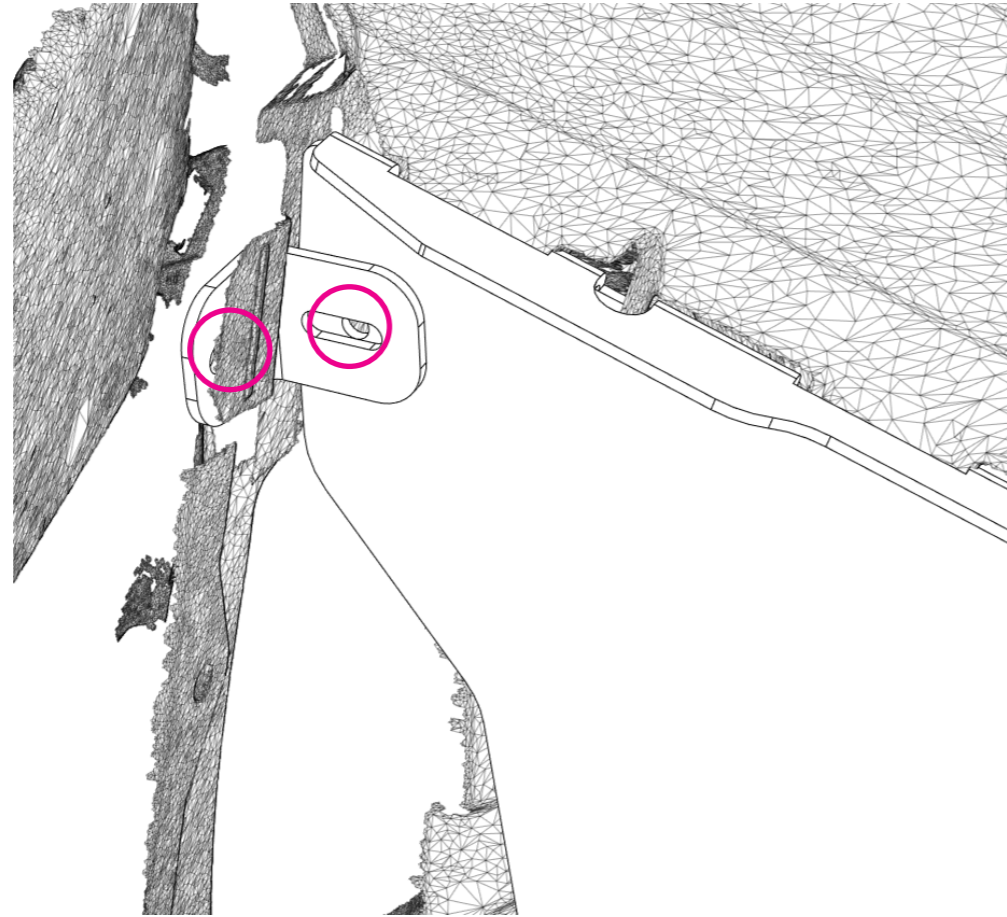
## Step 12.

**Panels:** BRKT FL

The bracket BRKT FLT is mounted to the plastic lip on the ATV by drilling a 6mm hole in the lip.

We recommend mounting the bracket to the panel 1LR and using the hole of the bracket as a guideline on where to drill.

You then want to secure this in place with a M6x16 screw and nut.

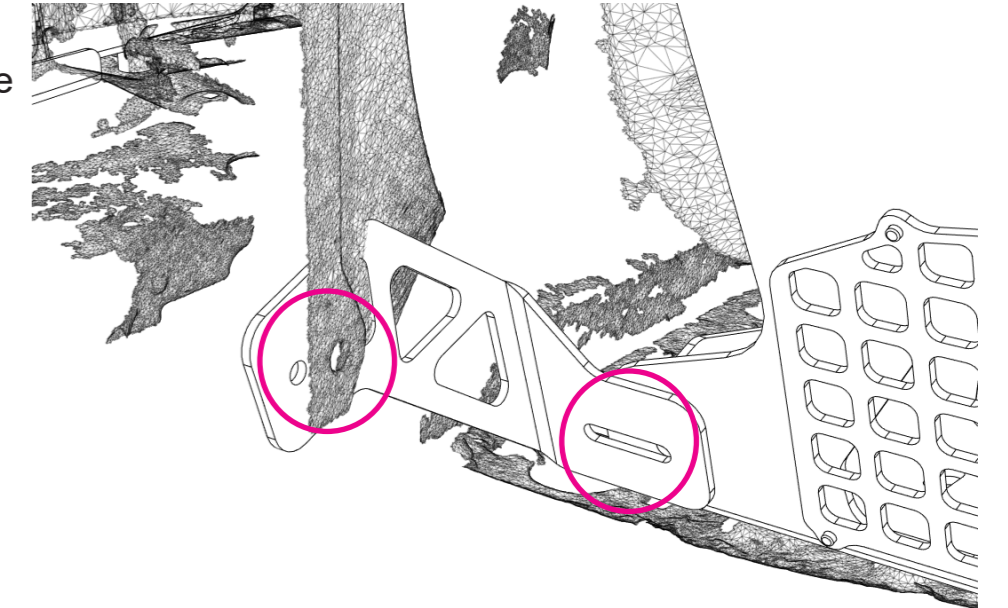


## Step 13.

**Panels:** BRKT F RUBBER L

If you have not removed the rubber thing on the left side of ATV we have included a Bracket that is designed to hold this rubber section in place.

You can use the BRKT F RUBBER L to secure this to the panel 1L at the bottom with a M6x16 screw and nut.

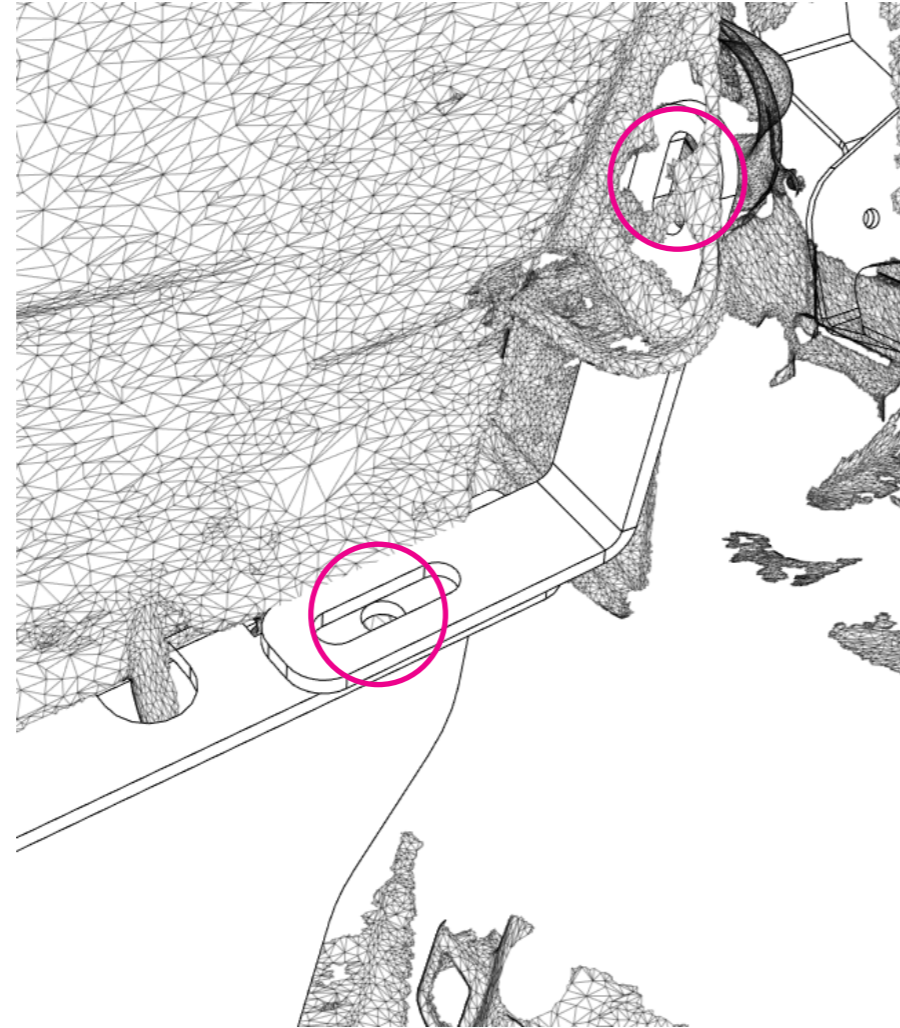




## Step 14.

**Panels:** BRKT BL

- BRKT BL is mounted to the Floorboards at the top of the Floorboard Panel 3L and to the plastic lip in the existing hole with a M6x16 flange screw and nut



**You have now completed the installation of the Outlander Short Floorboards.**

**We recommend double checking and retightening all Screws and Nuts before and**

**Need help? Got a question? Or just want to tell us about your day?**

**Get in touch at: [support@rjwc.se](mailto:support@rjwc.se)**